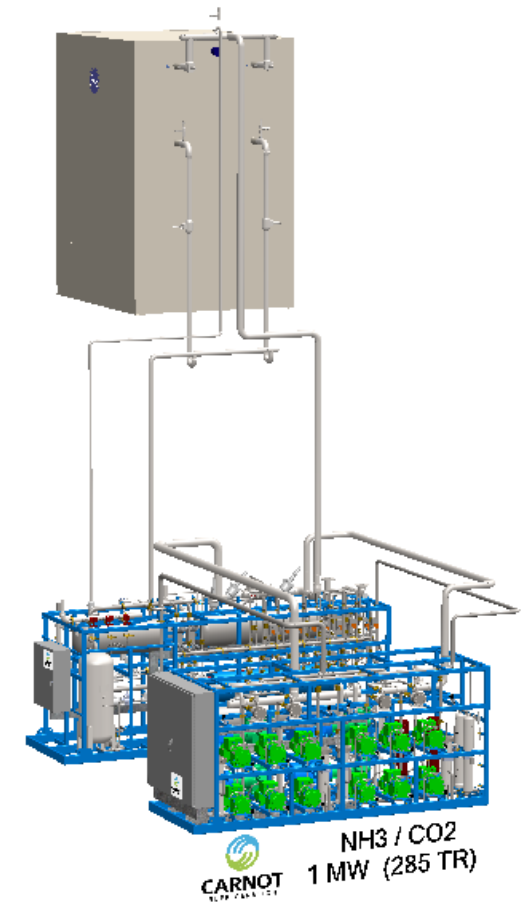
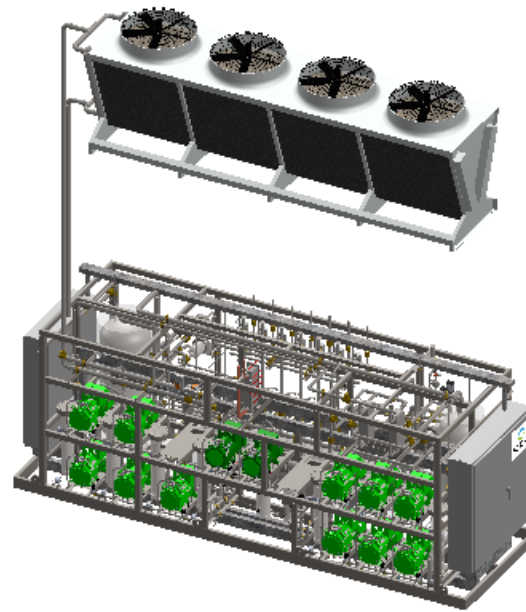
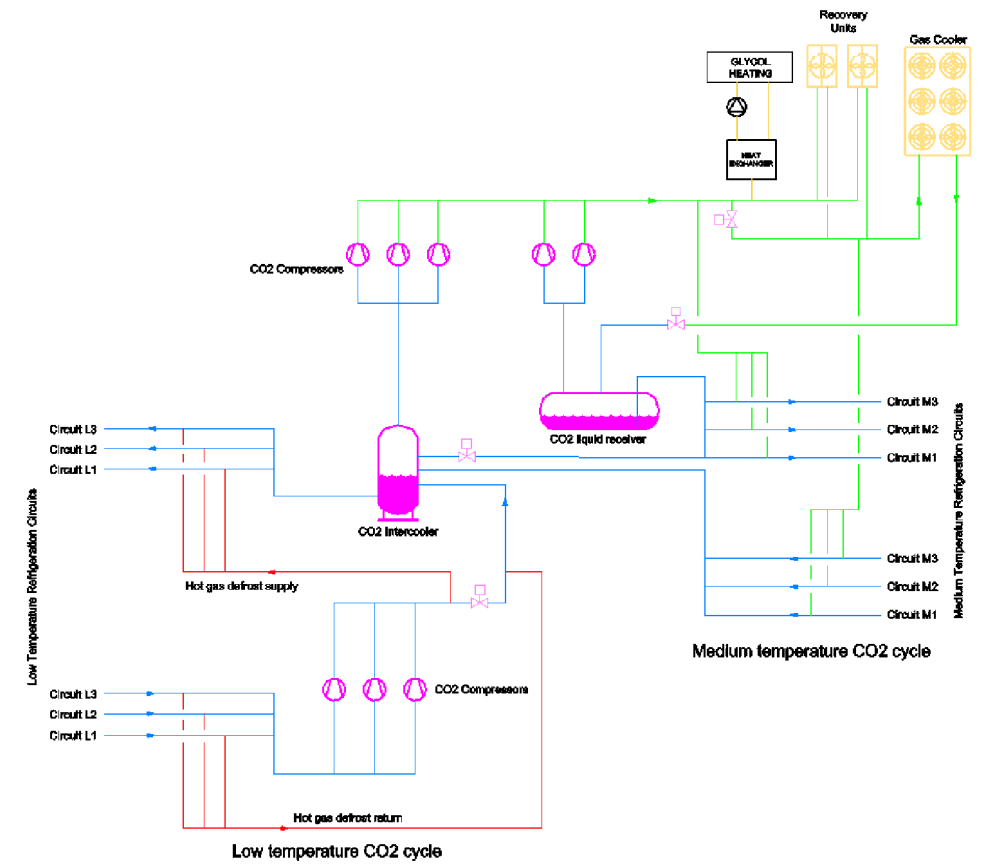
 WAREHOUSE SPECIFICATIONS		Date :			
CONTACT INFORMATION					
Project :	Representative name :				
Address :	Phone # :				
Customer name :	Email :				
INSTALLATION					
Start and end of work :	Start :	End :			
Location of the compressor racks :	<input type="checkbox"/> Basement <input type="checkbox"/> Ground floor <input type="checkbox"/> Upstairs <input type="checkbox"/> Outside				
Documents provided :	<input type="checkbox"/> Architectural <input type="checkbox"/> Electrical <input type="checkbox"/> Specifications <input type="checkbox"/> Ventilation				
STORAGE INFORMATION					
Room description / Produce	Capacity	Room temperature	Turnover(s) per week	Produce temp at arrival	
Power supply available :	<input type="checkbox"/> 575 V/3 ph/60 hz <input type="checkbox"/> 460 V/3 ph/60 hz <input type="checkbox"/> 230 V/3 ph/60 hz <input type="checkbox"/> 208 V/3 ph/60 hz				
Control circuit :	<input type="checkbox"/> Integrated transformer - 600V/120V (Standard) <input type="checkbox"/> Independent connection available - 120 V				
Existing electrical input with limitation :	<input type="checkbox"/> Yes Maximum amperage : <input type="checkbox"/> No				
GAS COOLER					
Noise level :	<input type="checkbox"/> Standard <input type="checkbox"/> Low noise (Specify max. dB: _____)				
Fan motors :	<input type="checkbox"/> Standard AC <input type="checkbox"/> ECM				
Coil material :	<input type="checkbox"/> Copper (Standard) <input type="checkbox"/> Stainless steel				
Fins material :	<input type="checkbox"/> Aluminum (Standard) <input type="checkbox"/> Copper <input type="checkbox"/> Stainless steel				
Coil coating :	<input type="checkbox"/> None (Standard) <input type="checkbox"/> Epoxy				
Installation of gas cooler :	<input type="checkbox"/> Ground <input type="checkbox"/> Roof				
DIRECT CO₂ HEAT RECOVERY (RCIntel)					
Description	Capacity	Air flow	Max air pressure drop	Air inlet Temp.	
<input type="checkbox"/> Coil only <input type="checkbox"/> Fan & coil					
<input type="checkbox"/> Coil only <input type="checkbox"/> Fan & coil					
<input type="checkbox"/> Coil only <input type="checkbox"/> Fan & coil					
HEAT RECOVERY - GLYCOL					
PHE1	Capacity:	T [°] Inlet:	T [°] Outlet:	GPM:	Δ T:
Heat recovery	Fluid:	Pressure drop:	Model:	Double wall: <input type="checkbox"/>	
Pump 1	Head:	Motor:	Model:	<input type="checkbox"/> VFD	<input type="checkbox"/> Back up Pump
OPTIONS					
Variable frequency drive (compressor) :	<input type="checkbox"/> Yes	<input type="checkbox"/> No			
Variable frequency drive (pump) :	<input type="checkbox"/> Yes	<input type="checkbox"/> No			
Start-up and maintenance parts :	<input type="checkbox"/> Yes	<input type="checkbox"/> No			
Interface module and modem :	<input type="checkbox"/> Yes	<input type="checkbox"/> No			
Energy meter with display :	<input type="checkbox"/> Yes	<input type="checkbox"/> No			
CO ₂ detector :	<input type="checkbox"/> Yes	<input type="checkbox"/> No			
Installation management « Turnkey » :	<input type="checkbox"/> Yes	<input type="checkbox"/> No			
Weather proof construction :	<input type="checkbox"/> Yes	<input type="checkbox"/> No			
Start-up assistance :	<input type="checkbox"/> Yes	<input type="checkbox"/> No			
Staff training :	<input type="checkbox"/> Yes	<input type="checkbox"/> No			
Electrical power wiring :	<input type="checkbox"/> Yes	<input type="checkbox"/> No			
Communication loop :	<input type="checkbox"/> Yes	<input type="checkbox"/> No			
Unit delivery on site :	<input type="checkbox"/> Yes	<input type="checkbox"/> No			
Specific requirements (Local codes / Leed projet, etc.)					
Maintenance contract :	<input type="checkbox"/> 1st year (std) <input type="checkbox"/> After the warranty (to be discussed)				
Additional warranty on parts :	<input type="checkbox"/> 1 year (std) <input type="checkbox"/> 2 years <input type="checkbox"/> 3 years <input type="checkbox"/> 4 years <input type="checkbox"/> 5 years				



Option CO2 TC



Option NH3/CO2

